

Rje-btsun Chos-kyi rgyal-mtshan

の *Don-bdun-cu*

小野田 俊蔵

15世紀末から16世紀初頭にかけて活躍したゲールク派の学僧ジェツン・チュキゲンツェン Rje-btsun Chos-kyi rgyal-mtshan (1469–1546) は、『現観莊嚴論』*Abhisamayālaṅkāra* に対する詳細な註釈書を著している。すなわち、

〔東北蔵外No.6814, (A)~(K)] Bstan bcos mñon par rtogs pa'i rgyan 'grel pa dañ bcas pa'i rnam bśad rnam pa gñis kyi dka' ba'i gnad gsal bar byed pa legs bśad skal bzañ klu dbaṅ gi rol mtsho žes bya ba (以下 *Rol-mtsho* と略) las…

- (A)(B) skabs dañ po'i spyi don
- (C) skabs gñis pa'i spyi don
- (D) skabs gsum pa'i spyi don
- (E) skabs bži pa'i spyi don
- (F)(G) skabs lña pa'i spyi don
- (H) skabs drug pa'i spyi don
- (I) skabs bdun pa'i spyi don
- (J)(K) skabs brgyad pa'i spyi don

これらは合せると紙数800枚近くにも及ぶきわめて大部なものである。

ゲールク派三大学問寺のひとつ、セラ寺のセルチューー (Ser-byes) 学堂では、“phar-phyin (般若)” 学習課程の約10年間をチュキゲンツェン作のこの *Rol-mtsho* 8部作の学習に充てる。この般若学課程は普通4~5のクラス ('dzin-grwa) に分けられるのであるが、それらのクラスに進むまでには、“bsdus-grwa,” “blo-rigs,” “rtags-rigs” と称される基礎仏教学習課程⁽¹⁾ 終了後、約1年間を使って般若学の準備段階としての “don-bdun-cu (七十義)” のクラスを履修することが義務づけられている。本稿で紹介されるチュキゲンツェン作の *don-bdun-cu* はその段階で学習される書物の一つ⁽²⁾ である。この書物は正式には、

[東北藏外 No.6827] Bstan bcos mñon par rtogs pa'i rgyan gyi brjod bya dños brgyad don bdun cu ñes par 'byed pa'i thabs dam pa (以下 *don-bdun-cu* と略) と題される。題名の中でも述べられているが、この書は『現觀莊嚴論』第1章第3～17偈に示される『般若經』の骨格としての「8支70義」を註釈したものである。

「70義」についてはすでに先学諸氏による適切な紹介⁽³⁾があるがここでは *don-bdun-cu* の著書チュキゲンツェンによる列記を *Rol-mtsho* の中からぬき出してみよう⁽⁴⁾。なお、*don-bdun-cu* 自体にはこのような列記はあらわれない。

(I) rnam mkhyen mtshon byed kyi chos

- <1> sems bskyed
- <2> gdams ñag
- <3> theg chen gyi sbyor lam
- <4> sgrub pa'i rten rañ bñin gnas rigs
- <5> sgrub pa'i dmigs pa
- <6> sgrub pa'i ched du bya ba
- <7> go sgrub
- <8> 'jug sgrub
- <9> tshogs sgrub
- <10> ñes 'byuñ sgrub pa

(II) lam śes mtshon byed kyi chos

- <11> lam śes kyi yan lag
- <12> ñan thos kyi lam śes pa'i lam śes
- <13> rañ rgyal kyi lam śes pa'i lam śes
- <14> theg chen gyi mthoñ lam
- <15> theg chen gyi sgom lam gyi byed pa
- <16> mos pa sgom lam
- <17> mos pa'i phan yon
- <18> bsño ba sgom lam
- <19> rjes su yi rañ sgom lam
- <20> sgrub pa sgom lam
- <21> rnam dag sgom lam

(III) gzi ses mtshon byed kyi chos

- <22> ses pas srid la mi gnas pa'i lam ses
 <23> sñiñ rjes zi la mi gnas pa'i lam ses
 <24> 'bras yum la riñ ba'i gzi ses
 <25> de la ñe ba'i gzi ses
 <26> mi mthun phyogs kyi gzi ses
 <27> gñen po'i phyogs kyi gzi ses
 <28> gzi ses kyi sbyor ba
 <29> gzi ses kyi sbyor ba'i mñam ñid
 <30> ñen thos kyi rtogs rigs su gnas pa'i mthoñ lam

(IV) rnam rdzogs sbyor ba mtshon byed kyi chos

- <31> rnam rdzogs sbyor ba'i bsgom bya'i rnam pa
 <32> sbyor ba
 <33> sbyor ba'i yon tan
 <34> sbyor ba'i skyon
 <35> sbyor ba'i mtshan ñid
 <36> theg chen gyi thar pa cha mthun
 <37> theg chen gyi ñes 'byed cha mthun
 <38> phyir mi ldog pa'i rtags
 <39> srid zi mñam ñid kyi sbyor ba
 <40> ziñ dag sbyor ba
 <41> thabs mkhas sbyor ba

(V) rtse sbyor mtshon byed kyi chos

- <42> rtags bcu gñis po dañ ldan pa'i rtse sbyor
 <43> bsod nams rnam par 'phel ba'i rtse sbyor
 <44> brtan pa'i rtse sbyor
 <45> sems kun tu gnas pa'i rtse sbyor
 <46> mthoñ lam rtse sbyor
 <47> sgom lam rtse sbyor
 <48> bar chad med pa'i rtse sbyor
 <49> bsal bya log sgrub

- (VI) mthar gyis sbyor ba mtshon byed kyi chos
 <50~55> phar phyin drug gis mthar gyis sbyor ba drug
 <56~61> rjes dran drug gis mthar gyis sbyor ba drug
 <62> dños med ño bo ñid kyi mthar gyis sbyor ba
 (VII) skad cig sbyor mtshon byed kyi chos
 <63> rnam par smin pa ma yin pa'i skad cig sbyor
 <64> rnam par smin pa'i skad cig sbyor
 <65> mtshan ñid med pa'i skad cig sbyor
 <66> gñis su med pa'i skad cig sbyor
 (VIII) 'bras bu chos sku mtshon byed kyi chos
 <67> ño bo ñid sku
 <68> loñs sku
 <69> sprul sku
 <70> ye śes chos sku mdzad pa 'phrin las dañ bcas pa

一方、当該の *Don-bdun-cu* の構成は、前述した『現觀莊嚴論』第1章第3偈から17偈までを8支70義の諸項目に分けてそれぞれを註釈するという形で論が進められている。そしてそれらの註釈も、分類と定義と存在範囲という必要最小限の記述におさえられている。したがって本稿の冒頭でふれたチュキゲンツェンによる詳細な『現觀莊嚴論』研究 *Rol-mtsho* の最も中核となる部分がこの *Don-bdun-cu* という著作でまとめられていると言うことが出来る。その註釈される偈文の部分とチュキゲンツェンによる項目とを列記すると次のようになる。

Don bdun cu の項目

- | | |
|-------------------------|---|
| 1. śer phyin | 註釈される『現觀莊嚴論』の偈の部分
śes rab pha rol phyin pa ni / dños
po brgyad kyis yañ dag bśad / (°3ab) |
| 2. rnam mkhyen | rnam kun mkhyen ñid (3c) |
| 3. lam śes | lam śes ñid / (3c mid.) |
| 4. gñi śes | de nas thams cad śes pa ñid / (3d) |
| 5. rnam rdzogs sbyor ba | rnam kun mñon rdzogs rtogs pa dañ
/ (4a) |
| 6. rtse sbyor | rtse mor phyin dañ (4b) |

- | | |
|---------------------------|---|
| 7. mthar gyis sbyor ba | mthar gyis pa / (4b mid.) <i>Don bdun cu</i> では 16ab との混同がある) |
| 8. skad cig ma'i sbyor ba | skad cig gcig mñon rdzogs byañ chub / (4c) |
| 9. 'bras bu chos sku | chos kyi sku dañ de rnam brgyad / (4d) |

[rnam mkhyen mtshon byed kyi chos]

see 2.

- | | |
|--|---|
| 10. theg chen kun rdzob sems
bskyed | sems bskyed pa dañ (5a) |
| 11. theg chen gyi gdams ñag | gdams ñag dañ / (5a mid.) |
| 12. theg chen gyi sbyor lam | ñes byed yan lan lag rnam bñi dañ / (5b) |
| 13. theg chen bsgrub pa'i rten
rañ bñin gnas rigs | sgrub pa yi ni rten gyur pa / chos
kyi dbyiñs kyi rañ bñin dañ (5cd) |
| 14. theg chen sgrub pa'i dmigs
pa | dmigs pa dag dañ (6a) |
| 15. theg chen sgrub pa'i ched
du bya ba | ched dañ ni / (6a mid.) |
| 16. go sgrub | go cha (6b) |
| 17. 'jug sgrub | 'jug pa'i bya ba dañ / (6b mid.) |
| 18. tshogs sgrub | tshogs ni (6c) |
| 19. ñes 'byuñ sgrub | ñes par 'byuñ bcas rnam / chos kyi
dbyiñs kyi rañ bñin dañ / (6c mid.
- 6d) |

[lam ñes mtshon byed kyi chos]

see 3.

- | | |
|--|------------------------------------|
| 20. lam ñes kyi yan lag | mogmog por byed la sogs dañ / (7a) |
| 21. ñan thos kyi lam ñes pa'i
lam ñes | slob ma (7b) |

- | | |
|--|---|
| 22. rañ rgyal kyi lam śes pa'i lam śes | bse ru'i lam gañ dañ / (7b mid.) |
| 23. theg chen gyi mos pa sgom lam | 'di dag gžan pa'i yon tan gyis / phan yon che ba mthoñ ba'i lam / (7cd) |
| 24. theg chen gyi sgom lam gyi byed pa | byed pa dañ ni (8a) |
| 25. theg chen gyi mos pa sgom lam | mos pa dañ / (8a mid.) |
| 26. mos pa sgom lam gyi phan yon | bstod dañ bkur dañ bsñags pa dañ / (8b) |
| 27. bsño ba sgom lam | bsño dañ (8c) |
| 28. rjes su yi rañ sgom lam | rjes su yi rañ ba / yid la byed pa bla med dag / (8c mid.- 8d) |
| 29. sgrub pa sgom lam | sgrub dañ (9a) |
| 30. rnam dag sgom lam | śin tu dag pa žes / bya ba 'di ni sgom pa'i lam / byañ chub sems dpa' mkhas rnam kyi / lam śes ñid ni de 'drar bśad / (9a mid.- 9d) |

[gži śes mtshon byed kyi chos]

see 4.

- | | |
|--|---------------------------------------|
| 31. śes pas arid la mi gnas pa'i lam śes | śes pas srid la mi gnas śiñ / (10a) |
| 32. sñiñ rjes ži la mi gnas pa'i lam śes | sñiñ rjes ži la mi gnas dañ / (10b) |
| 33. 'bras yum la riñ ba'i gži śes | thabs ma yin pas riñ ba dañ / (10c) |
| 34. 'bras yum la ñe ba'i gži śes | thabs kyi riñ ba ma yin ñid / (10d) |
| 35. mi mthun phyogs kyi gži śes | mi mthun (11a) |
| 36. gñen po'i phyogs kyi gži śes | gñen po'i phyogs dag dañ / (11a mid.) |

- | | | |
|-----|--------------------------------------|---|
| 37. | byañ sems kyi sbyor ba | sbyor dañ (11b) |
| 38. | byañ sems kyi sbyor ba'i
mñam ñid | de yi mñam ñid dañ / (11b mid.) |
| 39. | theg chen gyi mthoñ lam | ñan thos la sogs mthoñ ba'i lam /
de 'dra kun šes ñid du 'dod / (11cd) |

[rnam rdzogs sbyor ba mtshon byed kyi chos]

see 5.

- | | | |
|-----|---|---|
| 40. | gñen po phyogs kyi šes
rnam | rnam pa (12a) |
| 41. | gtso bo sbyor ba | sbyor bar bcas rnam dañ / (12a
mid.) |
| 42. | theg chen gyi sbyor ba'i
yon tan | yon tan (12b) |
| 43. | sbyor ba'i skyon | skyon ni (12b mid.) |
| 44. | lam šer phyin gyi rnal 'byor | mtshan ñid bcas / (12b mid.) |
| 45. | theg chen gyi thar pa cha
mthun | thar dañ (12c) |
| 46. | theg chen gyi ñes 'byed
cha mthun | ñes 'byed cha mthun dañ / (12c
mid.) |
| 47. | phyir mi ldog pa'i rtags
thob pa'i byañ sems kyi dge
'dun | slob pa phyir mi ldog pa'i tshogs /
(12d) |
| 48. | srid ži mñam ñid kyi sbyor
ba | srid dañ ži ba mñam ñid dañ / (13a) |
| 49. | žin dag sbyor ba | žin dag bla na med pa ni / [rnam
kun mñon rdzogs rtogs pa ste] /
(13bc) |
| 50. | thabs mkhas sbyor ba | 'di ni thabs mkhas bcas pa yin /
(13d) |

[rtse sbyor mtshon byed kyi chos] see 6.

- | | |
|----------------------------------|---|
| 51. drod rtse sbyor | de yi rtags dañ (14a) |
| 52. rtse mo'i rtse sbyor | rnam 'phel dañ / (14a mid.) |
| 53. bzod pa'i rtse sbyor | brtan dañ (14b) |
| 54. chos mchog gi rtse sbyor | sems kun gnas pa dañ / (14b mid.) |
| 55. mthon lam rtse sbyor | mthoñ žes bya dañ (14c) |
| 56. sgom lam rtse sdyor | sgom pa žes / bya ba'i lam ni so
so la / rnam par rtogs pa rnam bži
yi / gñen po rnam pa bži dañ ni /
(14c mid.- 15ab) |
| 57. bar chad med pa'i rtse sbyor | bar chad med pa'i tiñ ñe 'dzin /
(15c) |
| 58. log sgrub | log par bsgrub dañ dcas pa ni / rtse
mo'i mñon rtogs (15d 16a) |

[mthar gyis sbyor ba mtshon byed kyi chos]

see 7.

- | | |
|--|--|
| 59. [13 divisions of the] mthar
gyis sbyor ba | mthar gyis pa / rnam gsum rnam bcu
(16a mid.- 16b mid.) |
|--|--|

[skad cig ma'i sbyor ba mtshon byed kyi chos]

see 8.

- | | |
|--|---|
| 60. [4 divisions of the] skad
cig ma'i sbyor ba | skad cig ma / gcig gis mñon rdzogs
byañ chub pa / mtshan ñid kyis ni
mnam pa bži / (16b mid.- 16cd)
(<i>Don bdun cu</i> では4c との混同がある) |
|--|---|

['bras bu chos sku mtshon byed kyi chos]

see 9.

- | | |
|------------------------------|-------------------------------------|
| 61. ño bo ñid sku | ño bo ñid (17a) |
| 62. loñs sku | loñs rdzogs dañ / (17a mid.) |
| 63. sprul sku | de bžin gžan pa sprul pa ni / (17b) |
| 64. ye šes chos sku mdzad pa | chos sku mdzad pa dañ bcas pa / |

'phrin las dañ bcas pa

rnam pa bžir ni yañ dag brjod /
(17cd)

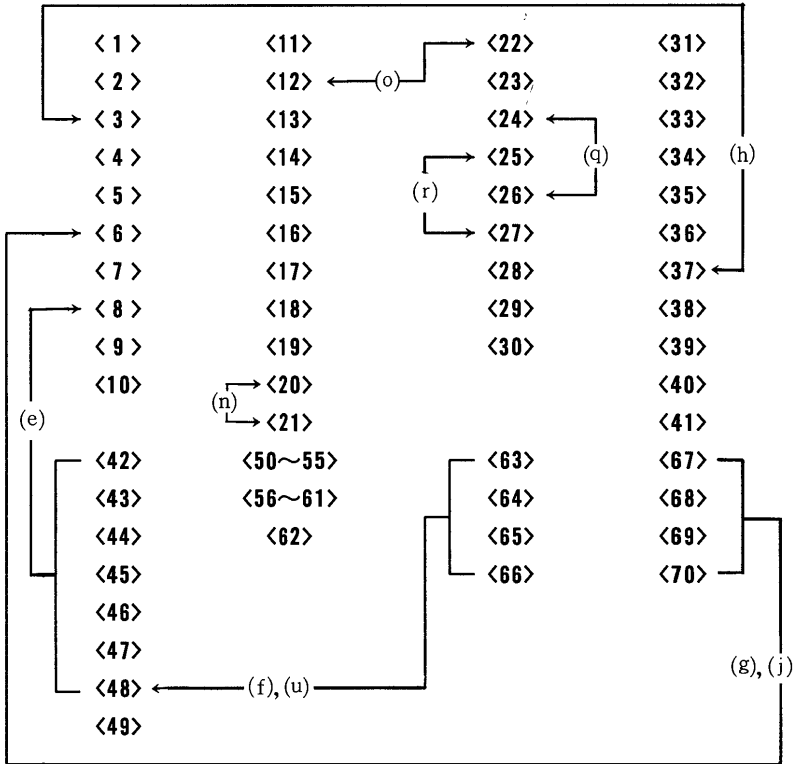
以上掲げた *Don-bdun-cu* の諸項目は70義のそれぞれと次の図のように対応している。

(1)			
(2)	(3)	(4)	(5)
< 1 > (10) < 2 > (11) < 3 > (12) < 4 > (13) < 5 > (14) < 6 > (15) < 7 > (16) < 8 > (17) < 9 > (18) < 10 > (19)	< 11 > (20) < 12 > (21) < 13 > (22) < 14 > (23) < 15 > (24) < 16 > (25) < 17 > (26) < 18 > (27) < 19 > (28) < 20 > (29) < 21 > (30)	< 22 > (31) < 23 > (32) < 24 > (33) < 25 > (34) < 26 > (35) < 27 > (36) < 28 > (37) < 29 > (38) < 30 > (39)	< 31 > (40) < 32 > (41) < 33 > (42) < 34 > (43) < 35 > (44) < 36 > (45) < 37 > (46) < 38 > (47) < 39 > (48) < 40 > (49) < 41 > (50)
(6)	(7)	(8)	(9)
< 42 > (51) < 43 > (52) < 44 > (53) < 45 > (54) < 46 > (55) < 47 > (56) < 48 > (57) < 49 > (58)	< 50 ~ 62 > (59)	< 63 ~ 66 > (60)	< 67 > (61) < 68 > (62) < 69 > (63) < 70 > (64)

さて、70義全体は相互に密接な関係で結びついているのであるが、チュキゲンツェンは次の諸点について *Don-bdun-cu*⁽⁶⁾ の中で言及している。

- a (2a3) de (rnam mkhyen) dañ sañs rgyas 'phags pa'i rgyud kyi mkhyen pa don gcig.
- b (2a5) de (lam śes) dañ theg chen 'phags pa'i mkhyen pa don gcig.
- c (2b2) de (gzi śes) dañ theg dman gyi rtogs rigs su gnas pa'i 'phags rgyud kyi mkhyen pa don gcig.
- d (2b4) de (rnam rdzogs sbyor ba) dañ byañ sems kyi mkhyen pa don gcig.
- e (2b5) de (rtse sbyor) dañ 'jug sgrub don gcig.
- f (3a3) de (skad cig ma'i sbyor ba) dañ rgyun mtha'i ye śes don gcig.
- g (3a5) de ('bras bu chos sku) dañ sañs rgyas don gcig.
- h (4a4) de (theg chen gyi sbyor lam) dañ theg chen gyi ñes 'byed cha mthun don gcig.
- i (4b4) de (theg chen sgrub pa'i dmigs pa) dañ śes bya don gcig.
- j (5a2) de (theg chen sgrub pa'i ched du bya ba) dañ sañs rgyas don gcig.
- k (5a4) de (go sgrub) dañ byañ sems kyi mkhyen pa don gcig.
- l (6b2) de (ñan thos kyi lam śes pa'i lam śes) dañ ñan thos kyi rtogs rigs su gnas pa'i theg chen 'phags pa'i mkhyen pa don gcig.
- m (6b5) de (rañ rgyal gyi lam śes pa'i lam śes) dañ rañ rgyal gyi rtogs rigs su gnas pa'i theg chen 'phags pa'i mkhyen pa don gcig.
- n (8b1) de (sgrub pa sgom lam) dañ mam dag sgom lam don gcig.
- o (8b6) de (śes pas srid la mi gnas pa'i lam śes) dañ ñan thos kyi lam śes pa'i lam śes don gcig.
- p (9a2) de (sñiñ rjes zi la mi gnas pa'i lam śes) dañ thabs khyad par cañ gyi rtogs rigs su gnas pa'i theg chen 'phags pa'i mkhyen pa don gcig.
- q (9a4) de ('bras yum la riñ ba'i gzi śes) dañ mi mthun phyogs kyi gzi śes don gcig.
- r (9a6) de ('bras yum la ñe ba'i gzi śes) dañ gñen po'i phyogs kyi gzi śes don gcig.
- s (9b1) de (mi mthun phyogs kyi gzi śes) dañ theg dman 'phags pa'i rgyud kyi bden 'dzin gyis bciñs pa'i gzi śes don gcig.
- t (9b3) de (gñen po'i phyogs kyi gzi śes) dañ theg chen 'phags pa'i rgyud kyi gzi śes don gcig.
- u (16a5) de (bar chad med pa'i rtse sbyor) dañ rgyun mtha'i ye śes don gcig.

これらのなか、70義相互の関係に関する同義関係 (e, f, g, h, j, n, o, q, r, u) を図示すると次のようになる。



以上に *Don bdun cu* に説かれる諸項目と70義との関係、さらに70義相互の関係に対するチュキゲンツェンの言及についてふれてきたが、以下にそれらを70義の順序にそいつつ、同義関係を考慮に入れながら図表としてまとめ、さらに *Don bdun cu* に紹介されるチュキゲンツェンによるそれぞれの定義を列記する。() 内は *Don bdun cu* の項目を示し、< > 内は70義の順序をあらわす。↔は同義関係である。

theg chen kun rdzob sems bskyed (10) < 1 >

(def.) rañ gi grogs su gyur ba'i 'dun pa gžan don du rdzogs pa'i byañ chub la dmigs pa'i 'dun pa dañ mtshuñs ldan du byuñ žiñ / theg chen lam gyi 'dug sgor ba'i lam gyi rigs su gnas pa'i rab tu phye ba'i theg chen gtso bo'i yid kyi mnam rig khyad par can.

theg chen gyi gdams ñag (11) < 2 >

(def.) theg chen sems bskyed kyi ched du gñer bya thob pa'i thabs ston pa'i theg chen gyi ñag.

theg chen gyi sbyor lam (12) < 3 > ↔ < 37 >

(def.) thar pa cha mthun rdzogs rjes su byuñ ba'i mñon rtogs kyi rigs su gnas šiñ / bden pa mñon rtogs dañ rjes su mthun pa'i theg chen gyi 'jig rten pa'i lam.

theg chen sgrub pa'i rten rañ bžin gnas rigs (13) < 4 >

(def.) byañ sems kyi rgyud kyi chos ñid kyañ yin theg chen sgrub pa'i dños kyi rten gži byed pa yañ yin pa'i dži mthun pa.

theg chen sgrub pa'i dmigs (14) < 5 >

(def.) theg chen sgrub pas sgro 'dogs gcod pa'i bar bya ba'i gži.

theg chen sgrub pa'i ched du bya ba (15) < 6 >

(def.) gañ gi ched du bya ba la 'jug pa'i 'bras bu mthar thug.

→ sañs rgyas ←

→ 'bras bu chos sku (9)

(def.) rañ thob byed kyi thabs su gyur ba'i mkhyen gsum gyi rnam pa bsgoms stobs kyiis thob pa'i 'bras bu mthar thug.

— ño bo ñid sku (61)

(def.) dag pa gñis ldan gyi dbyiñs mthar thug.

- loñs sku (62)
(def.) ñes pa lña ldan gyi gzugs sku mthar thug.
- sprul sku (63)
(def.) ñes pa lña mi ldan pa'i rab tu bye ba'i gzugs sku mthar thug.
- ye šes chos sku (64)
(def.) ji lta ba dañ ji sñed pa la ltos te gzigs pa mthar thug pa'i mkhyen pa.

nam rdzogs sbyor ba (5) < 7 > ←
(def.) mkhyen gsum gyi nam pa bsdus nas bsgoms pa'i šes rab kyis zin pa'i sems dpa'i rnal 'byor.

→ byañ sems kyi mkhyen pa ←
→ go sgrub (16)
(def.) sbyin sogs phar phyin re re'i nañ du drug drug tshañ bar bsdus nas ñams su len par 'dod pa'i bsam pa'i bya ba rgya chen pos zin pa'i sems dpa'i rnal 'byor.

'jug sgrub (17) < 8 > ←
(def.) theg pa chen po'i rgyu 'bras kyi chos ci rigs pa sbyor ba brtson 'grus gtso bor gyur ba'i sgo nas ñams su len pa'i sems dpa'i rnal 'byor.

→ rtse sbyor (6)
(def.) mkhyen gsum bsdus sgom theg chen gyi tshogs lam las rab tu gyur ba'i šes rab kyis zin pa'i sems dpa'i rnal 'byor.

- sbyor lam rtse sbyor
 - drod rtse sbyor (51)
(def.) rtse sbyor thob pa'i rtags bcu gñis po gañ ruñ thob pa'i theg chen gyi ñes 'byed cha mthun dañ po.
 - rtse mo'i rtse sbyor (52)
(def.) stoñ gsum gyi sems can dañ mñam pa'i sañs rgyas mchod pa.
 - bzod pa'i rtse sbyor (53)
(def.) mkhyen gsum rjes mthun pa rdzogs pa'i šes rab dañ / gžan don la mi phyed pa'i brtan pa thob pa'i theg chen gyi ñes 'byed cha mthun gsum pa.
 - chos mchog gi rtse sbyor (54)
(def.) rañ gi 'bras bur gyur ba'i theg chen gyi mthoñ lam bskyed pa'i nus pa smin pa'i cha nas tiñ ñe 'dzin mtha' las 'das pa la sems kun tu gnas pa thob pa'i theg chen gyi ñes 'byed cha mthun bži pa.
 - mthoñ lam rtse sbyor (55)
(def.) mthoñ spañ rtog pa'i sa bon gyi dños gñan gyi rigs su gnas pa'i theg chen gyi bden pa mñon rtogs.
 - sgom lam rtse sbyor (56)
(def.) sgom spañ rtog pa'i sa bon gyi dños gñen gyi rigs su gnas pa'i theg chen gyi rjes la mñon rtogs.
 - bar chad med pa'i rtse sbyor (57) ←
(def.) mkhyen gsum bsdus bsgoms theg chen gyi tshogs lam las rab tu gyur ba'i šes rab kyis zin pa'i sems dpa'i mal 'byor mthar thug gañ zig / rañ gi 'bras bur gyur ba'i nram mkhyen dños su skyed byed.
- skad cig ma'i sbyor ba (8)
|
(def.) mkhyen gsum gyi nram pa la brtan pa thob pa'i sems

dpa'i rnal 'byor mthar thug.

rnam par smin pa ma yin pa'i skad cig ma'i sbyor ba

(def.) bya rdzogs kyi skad cig ma'i thuñ mtha' gcig la zag med rnam par smin pa ma yin pa'i chos gcig mñon du byas na / de dañ rigs mthun pa rnams kyañ mñon du byed pa'i šes rab kyis zin pa'i sgo nas šes sgrib kyi dños gñen du gyur ba'i sems dpa'i rnal 'byor.

rnam par smin pa'i skad cig ma'i sbyor ba

(def.) bya rdzogs kyi skad cig ma'i thuñ mtha' gcig la zag med rnam par smin pa'i chos gcig mñon du byas pa na / de dañ rigs mthun pa rnams kyañ mñon du byed pa'i šes rab kyis zin pa'i sgo nas šes sgrib kyi dños gñen du gyur ba'i sems dpa'i rnal 'byor.

mtshan ñid med pa'i skad cig ma'i sbyor ba

(60)

(def.) stoñ ñid mñon sum du rtogs pa'i šes rab kyis zin pa'i sgo nas šes sgrib kyi dños gñen du gyur ba'i sems dpa'i rnal 'byor.

gñis su med pa'i skad cig ma'i sbyor ba

(def.) gzuñ 'dzin rdzas gžan gyis stoñ pa mñon sum du rtogs pa'i šes rab kyis zin pa'i sgo nas šes sgrib kyi dños gñen du gyur ba'i sems dpa'i rnal 'byor.

tshogs sgrub (18) < 9 >

(def.) tshogs gñis rgya chen pos zin pa'i sgo nas theg chen gyi sbyor lam chos mchog 'briñ man chad las khyad par du 'phags siñ / rañ 'bras byañ chen 'byin pa'i sems dpa'i rnal 'byor.

ñes 'byuñ sgrub pa (19) < 10 >

(def.) rnam mkhyen du gdon mi za bar ñes par 'byin pa'i dag sa'i rnal 'byor.

lam šes kyi yan lag (20) < 11 >

(def.) lam šes kyi rgyu ño bo 'bras bu gsum po gañ ruñ gis bsdu pa'i sñiñ rje chen pos zin pa'i yon tan khyad par can.

lam ses (3)

(def.) rañ rgyud ldan gyi gañ zag gi rgyud kyi stoñ ñid mñon sum du rtogs pa'i ses rab kyis zin pa'i theg chen 'phags pa'i mñon rtogs.

ñan thos kyi lam ses pa'i lam ses (21) <12>

(def.) sems bskyed bsño ba ston ñid rtogs pa'i ses rab gsum gyis zin pa'i sgo nas gdul bya ñan thos kyi rigs can rjes su gzuñ ba'i phyir du ses par bya ba'i mñon rtogs kyi rigs gnas pa'i theg chen 'phags pa'i mkhyen pa.

rañ rgyal gyi lam ses pa'i lam ses (22) <13>

(def.) khyad chos gsum gyis zin pa'i sgo nas gdul bya rañ rgyal gyi rigs can rjes su gzuñ ba'i phyir du ses par bya ba'i mñon rtogs kyi rigs su gnas pa'i theg chen 'phags pa'i mkhyen pa.

theg chen gyi lam ses pa'i lam ses

ses pas srid la mi gnas pa'i lam ses (31)

(def.) gñi kun rdzob la ltos te srid mtha' 'gog byed kyi rtogs rigs su gnas pa'i theg chen 'phags pa'i mkhyen pa.

sñiñ rjes zi la mi gnas pa'i lam ses (32)

(def.) gñi kun rdzob la ltos te zi mtha' 'gog byed kyi rtogs rigs su gnas pa'i theg chen 'phags pa'i mkhyen pa.

theg chen gyi mthoñ lam (23) <14>

(def.) rañ rgyud ldan gyi gañ zag gi rgyud kyi stoñ ñid mñon sum du rtogs pa'i ses rab kyis zin pa'i theg chen gyi bden pa'i mñon rtogs.

theg chen gyi sgom lam gyi byed pa (24) <15>

(def.) rañ thob byed kyi thabs su gyur ba'i theg chen gyi sgom lam sgom stobs kyis thob pa'i phan yon.

theg chen gyi mos pa sgom lam (25) <16>

(def.) yum don gsum gyi 'byuñ gnas su yid ches pa'i theg chen gyi rjes la mñon rtogs.

mos pa sgom lam gyi phan yon (26) <17>

(def.) rañ thob byed kyi thabs su gyur ba'i mos pa sgom lam sgom stobs kysis thob pa'i yon tan.

bsño ba sgom lam (27) <18>

(def.) rañ gñan gañ ruñ gi dge rtsa rdzogs pa'i byañ chub kyi yan lag tu sgyur bar byed pa'i sgra don 'dres ruñ du 'dzin pa'i rtog pa dañ bcas pa'i theg chen gyi rjes la mñon rtogs.

rjes su yi rañ sgom lam (28) <19>

(def.) rañ gñan gañ ruñ gi dge rtsa la dga' ba bsgom pa'i sgra don 'dres ruñ du 'dzin pa'i rtog pa dañ boas pa'i theg chen gyi rjes su mñon rtogs.

sgrub pa sgom lam (29) <20>

(def.) zag pa med pa'i theg chen gyi rjes la mñon rtogs gañ žig, rañ gi thob byar gyur ba'i rtogs pa mthar thug gi lag rjes 'jog byed.

↳ rnam dag sgom lam (30) <21>

(def.) zag pa med pa'i theg chen gyi rjes la mñon rtogs gañ žig, rañ gi thob byar gyur ba'i spañs pa mthar thug gi lag rjes 'jog byed.

<22> (31) see <12> <13>

<23> (32) see <12> <13>

gži šes (4)

(def.) rañ rgyud ldan gyi gañ zag gi rgyud kyi bdag med mñon sum du rtogs pa'i šes rab kysis zin pa'i ye šes gañ žig, theg dman

- gyi rtogs rigs su gnas pa.
 — 'bras yum la riñ ba'i gzi śes (33) <24> ←
 (def.) gzi śes gañ žig sñiñ rje chen po dañ bral žiñ bden 'dzin
 gyis bciñs ba.
- 'bras yum la ñe ba'i gzi śes (34) <25> ←
 (def.) theg dman gyi rtogs rigs su gnas pa'i theg chen
 'phags pa'i rgyud kyi mkhyen pa gañ žig, sñiñ rje chen po
 dañ stoñ ñid mñon sum du rtogs pa'i śes rab kyis zin pa.
- mi mthun phyogs kyi gzi śes (35) <26> ←
 (def.) gzi śes gañ žig thabs śes khyad par can gñis dañ bral
 ba.
- gñen qo'i phyogs kyi gzi śes (36) <27> ←
 (def.) theg dman gyi rtogs rigs su gnas pa'i theg chen 'phags
 pa'i rgyud kyi mkhyen pa gañ žig, thabs śes khyad par can
 gñis kyis zin pa.

gzi śes kyi skabs nas bstan pa'i byañ sems kyi sbyor ba (37) <28>
 (def.) gzi kun rdzob pa'i sdod lugs kyi ño bo dañ khyad par la phyin ci
 log tu žen pa dañ, don dam pa'i sdod lugs kyi ño bo dañ khyad par la
 phyin ci log tu žen pa gañ ruñ gi gñen por sgom pa'i sems dpa'i mral
 'byor.

gzi śes kyi skabs nas bstan pa'i byañ sems kyi sbyor ba'i mñam ñid (38) <29>
 (def.) gzi'i dbye ba dañ mtshan mtshon dañ yul yul can la bden žan 'gog
 pa'i śes rab kyis zin pa'i sems dpa'i mral 'byor.

skabs 'dir dños su bstan pa'i theg chen gyi mthoñ lam (39) <30>
 (def.) skabs 'dir dños su bstan pa'i spros bral mñon sum du rtogs pa'i
 theg chen gyi bden pa mñon rtogs.

skabs 'dir bstan gyi gñen po phyogs kyi šes mam (40) <31>

(def.) rañ gi mi mthun phyogs 'joms nus pa'i mkhyen pa.

skabs 'dir dños su bstan pa'i gtso bo sbyor ba (41) <32>

(def.) skabs 'dir dños su bstan pa'i stoñ ñid la dmigs pa'i ži lhag zuñ 'brel gyi šes rab kyis zin pa'i sems dpa'i rnal 'byor.

theg chen gyi sbyor ba'i yon ten (42) <33>

(def.) rañ thob byed kyi thabs su gyur ba'i theg chen gyi sbyor ba sgom stobs kyi thob pa'i phan yon.

sbyor ba'i skyon (43) <34>

(def.) sbyor ba skye ba dañ gnas pa dañ, sbyor ba rdzogs pa gañ ruñ la bar du gcod pa'i bdud las.

lam šer phyin gyi rnal 'byor (44) <35>

(def.) rañ gi thob byar gyur ba'i 'bras bu šer phyin thob byed kyi thabs su gyur ba'i ži lhag zuñ 'brel gyis zin pa'i sems bpa'i rnal 'byor.

skabs 'dir dños su bstan pa'i theg chen gyi thar pa cha mthun (45) <36>

(def.) rnam mkhyen rañ rgyud la sgrub pa la mkhas pa'i sems dpa'i rgyud kyi mñon rtogs.

skabs 'dir dños su bstan pa'i theg chen gyi ñes 'byed cha mthun (46) <37>↔<3>

(def.) gtso bor thabs kyi chos khyad par du byas pa'i skabs 'dir dños su bstan pa'i theg chen gyi don mñon rtogs.

phyir mi ltog pa'i rtags thob pa'i byañ sems kyi dge 'dun (47) <38>

(def.) gzugs sogs la bden žen mñon 'gyur ba ldog pa sogs rtags že bži po gañ ruñ thob pa'i sems dpa'.

srid ži mñam ñid kyi sbyor ba (48) <39>

(def.) srid zī bden stoñ du mñon sum du rtogs pa'i šes rab kyis zin pa'i sgo nas rjes thob kyi gnas skabs bden 'dzin mñon gyur ba skye ba'i go skabs zad par bcom pa'i dag sa'i rnal 'byor.

ziñ dag sbyor ba (49) <40>

(def.) rañ gañ du sañs rgya 'gyur gyi ziñ khyad par can 'grub pa'i smon lam la sogs pa'i dge ba'i rtsa ba rañ rgyud la nus pa mthu can du gyur ba'i dag sa'i rnal 'byor.

thabs mkhas sbyor ba (50) <41>

(def.) 'bad rtsol rags pa zī ba'i sgo nas 'phrin las lhun gyis grub pa'i dag sa'i rnal 'byor.

- <42> (51) ————
- <43> (52) ————
- <44> (53) ————
- <45> (54) (6) see < 8 >
- <46> (55) ————
- <47> (56) ————
- <48> (57) ————

'dir bstan bsal bya log sgrub (58) <49>

(def.) 'dir bstan bden gñis ño bo gcig la 'dur mi ruñ bar 'dzin pa'i sa bon dañ mñon gyur ba ci rigs pas bsdus pa.

mthar gyis sbyor ba (7)

(def.) mkhyen gsum gyi rnam pa la brtan pa thob don du mkhyen gsum gyi rnam pa rim gyis bsgoms pa'i šes rab kyis zin pa'i sems dpa'i rnal 'byor.

— phar phyin drug gi mthar gyis sbyor ba drug <50~55>

rjes dran drug gi mthar gyis sbyor ba drug <56~61>

dños med ño bo ñid kyī mthar gyis sbyor ba <62>

<63> _____
<64> _____
<65> (8), (60) see < 8 >
<66> _____

<67> (61) _____
<68> (62) _____
<69> (63) (9) see < 6 >
<70> (64) _____

註

- 1) これらの基礎課程については、拙稿『bsDus-grwa の学習について』（印仏研第27巻第1号）および Shunzo ONODA(ed.); *The Yöns 'dzin rtags rigs – A Manual for Tibetan Logic* 一, Studia Asiatica No. 5, Nagoya, 1981, のIntroductory Remarks を参照されたい。
- 2) この段階で学習される書物としては、他に、同じく *Rol-mtsho* からの抄出である *Sa-lam* (東北蔵外 No. 6826, Mkhas pa'i mgul rgyan zhes bya ba sa lam mnam g'zag) がある。
- 3) 山田龍城『梵語仏典の諸文献』京都, 1959, pp. 129~132 の脚註に70義の表が Skt. と日本語訳を合わせた形で示されている。ジャムヤンシェーバの "Don-bdun-cu" に基づいた研究として、E. Obermiller; *The Doctrine of Prajñāpāramitā as exposed in the Abhisamayālamkāra*, Acta Orientalia, Leiden, 1932. がある。この論文に付された70義の一覧表もきわめて有用なものである。また、真野龍海『現觀莊嚴論の研究』東京, 1972, pp. 75~79 にも簡潔な表がある。
- 4) *Rol-mtsho* (A), Buksa 版 69b.
- 5) チベット語訳『現觀莊嚴論』は、Bibliotheca Buddhica XXIII, *Abhisamayālamkāra-Prajñāpāramitā-Upadeśa-śāstra*, by Th. Stcherbatsky and E. Obermiller, 1929. による。
- 6) 本稿で示される葉行数は *Don-bdun-cu* 最古の版本と思われる Tshulkrim Kelsang 氏所蔵の Lha-chos dga'-ldan 'og-min-gliñ 版による。